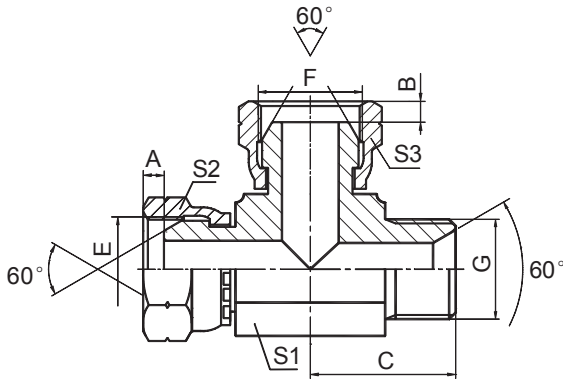


# 过渡接头 ADAPTER



## FB

英管内螺纹 / 英管内螺纹 / 英管外螺纹  
BSP FEMALE/BSP FEMALE/BSP MALE

代号 PART NO.	螺纹 THREAD			尺寸 DIMENSIONS						
	E	F	G		A	B	C	S1	S2	S3
FB-02	G1/8"X28	G1/8"X28	G1/8"X28		5.5	5.5	20	11	14	14
FB-04	G1/4"X19	G1/4"X19	G1/4"X19		5.5	5.5	24.5	14	19	19
FB-06	G3/8"X19	G3/8"X19	G3/8"X19		6.3	6.3	27.5	16	22	22
FB-08	G1/2"X14	G1/2"X14	G1/2"X14		7.5	7.5	34.5	22	27	27
FB-10	G5/8"X14	G5/8"X14	G5/8"X14		9.5	9.5	35	22	30	30
FB-12	G3/4"X14	G3/4"X14	G3/4"X14		10.9	10.9	40	27	32	32
FB-12-08-12	G3/4"X14	G1/2"X14	G3/4"X14		10.9	7.5	40	27	32	27
FB-16	G1"X11	G1"X11	G1"X11		11.7	11.7	46	33	41	41
FB-20	G1.1/4"X11	G1.1/4"X11	G1.1/4"X11		11	11	50.5	41	50	50
FB-24	G1.1/2"X11	G1.1/2"X11	G1.1/2"X11		13	13	57.5	48	55	55
FB-32	G2"X11	G2"X11	G2"X11		16	16	68	63	70	70